



Rechargeable Sealed Lead-Acid Battery

PS-121000 12 Volt 100 Amp. Hrs.



Features:

- Absorbent Glass Mat (AGM) technology for superior performance.
- Valve regulated, spill-proof construction.
- Power/volume ratio yielding unrivaled energy density.
- Built-in (recessed) battery handles for safe and easy transport.
- Approved for transport by air. D.O.T., I.A.T.A., F.A.A. and C.A.B. certified.
- U.L. recognized under file number MH 20845.

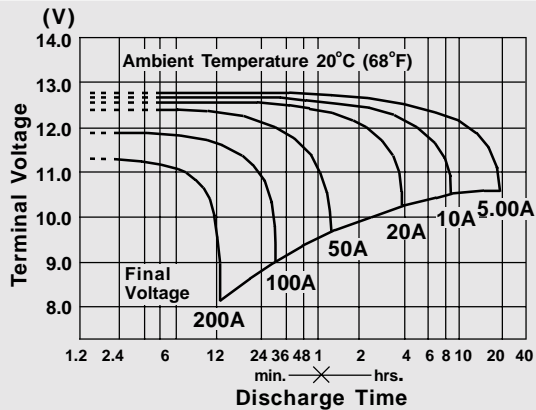


PERFORMANCE SPECIFICATIONS

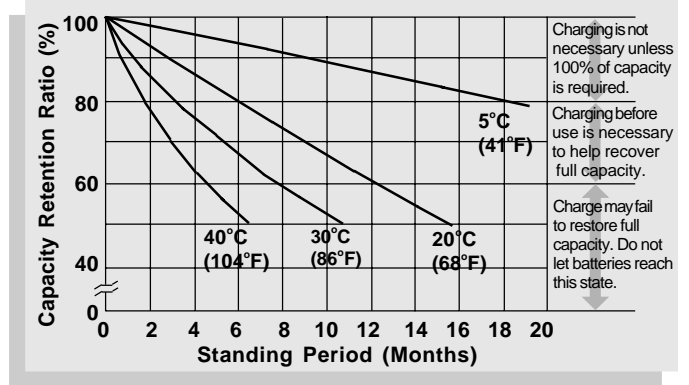
Nominal Voltage	12 volts (6 cells in series)
Nominal Capacity	
20 hour rate (5.0A to 10.50 volts)	100.0 A.H.
10 hour rate (9.2A to 10.50 volts)	92.0 A.H.
5 hour rate (15.8A to 10.20 volts)	79.0 A.H.
1 hour rate (55.2A to 09.00 volts)	55.2 A.H.
15 min. rate (175A to 09.00 volts)	44.0 A.H.
Approximate Weight	68.7 pounds (31.2 kg)
Energy Density (20 hour rate)	1.85 Watt-hours/cubic inch (112.8 Watt-hours/l)
Specific Energy (20 hour rate)	17.5 Watt-hours/pound (38.5 Watt-hours/kg)
Internal Resistance (Fully Charged Battery)	3.4 milliohms (approximately)
Maximum Discharge Current (7 Min.)	300 amperes
Maximum Short-Duration Discharge Current (10 Sec.)	1000 amperes
Terminals	"U" - Universal terminals: heavy duty posts with nut & bolt ("NB") fasteners
Shelf Life — % of nominal capacity at 68° F (20° C)	
1 Month.....	97%
3 Months.....	91%
6 Months.....	83%
Operating Temperature Range	
Charge	-4°F (-20°C) to 122°F (50°C)
Discharge	-4°F (-20°C) to 140°F (60°C)
Case	ABS Plastic

CONSTANT POWER DISCHARGE RATINGS								
MODEL	FINAL VOLTAGE	WATTS PER CELL @ 25° C						
		5 MIN	10 MIN	15 MIN	20 MIN	30 MIN	45 MIN	60 MIN
PS-121000	1.75	542	405	312	264	195	145	108
	1.70	574	410	324	272	202	147	112
	1.67	593	423	330	278	208	150	115

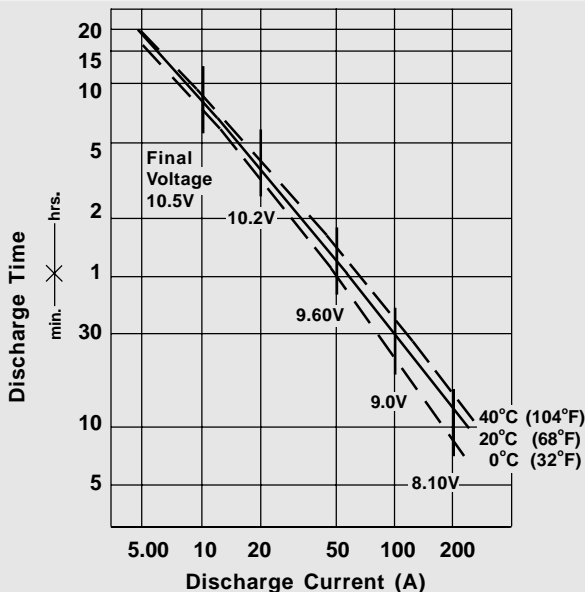
Discharge Characteristics



Shelf Life and Storage



Discharge Time vs. Discharge Current

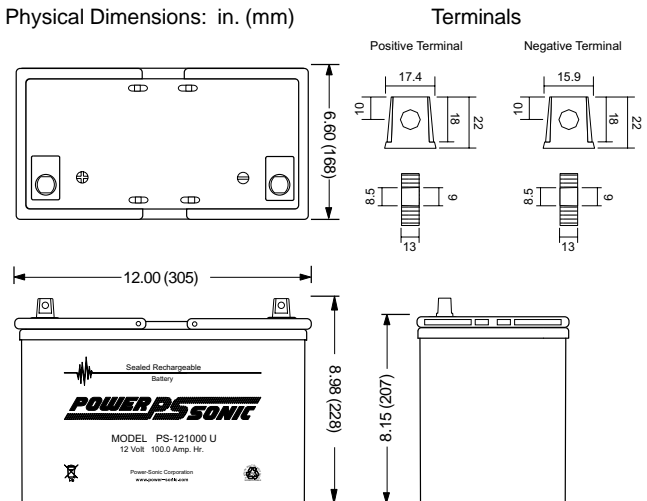


CHARGING

Cycle Applications: Limit initial current to 30A. Charge until battery voltage (under charge) reaches 14.40 to 14.70 volts at 68°F (20°C). Hold at 14.40 to 14.70 volts until current drops to approximately 1000mA.
“Float” or “Stand-By” Service: Hold battery across constant voltage source of 13.50 to 13.80 volts continuously.

NOTE: Due to the self-discharge characteristics of this type of battery, it is imperative that they be charged after 6-9 months of storage, otherwise permanent loss of capacity might occur as a result of sulfation.

Physical Dimensions: in. (mm)



All data subject to change without notice.

Tolerances are +/- 0.04 in. (+/- 1mm) and +/- 0.08 in. (+/- 2mm) for height dimensions.



SALES & MARKETING
 3106 Spring Street
 Redwood City, CA 94063 USA
 Tel: 650-364-5001 Fax: 650-366-3662
 national-sales@power-sonic.com



www.power-sonic.com

ISO9001-2000
 FM39170

CUSTOMER SERVICE
 7550 Panasonic Way
 San Diego, CA 92154 USA
 Tel: 619-661-2030 Fax: 619-661-3648
 customer-service@power-sonic.com